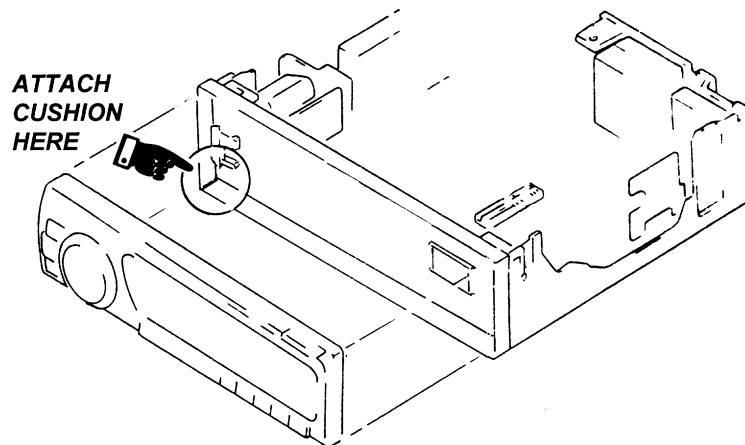


Model: CDX-C910, XR-C900**No.** 415**Subject:** FRONT PANEL FALLS OFF**Date:** March 5, 1997**Symptom:****(213)**

The front panel may fall off from the unit when ejecting . This may happen when the area around the OPEN control button is pressed to hard. This may be caused by the instability of the front panel.

Solution:

Attach a spacer (cushion) to the left side of the sub panel as shown. The part number is listed in the table below.



REF	DESCRIPTION	PART NUMBER
-	CUSHION	3-938-379-01

Applicable Serial Numbers:

Model Name	Serial Number
CDX-C910	up to 11300
XR-C900	up to 12500